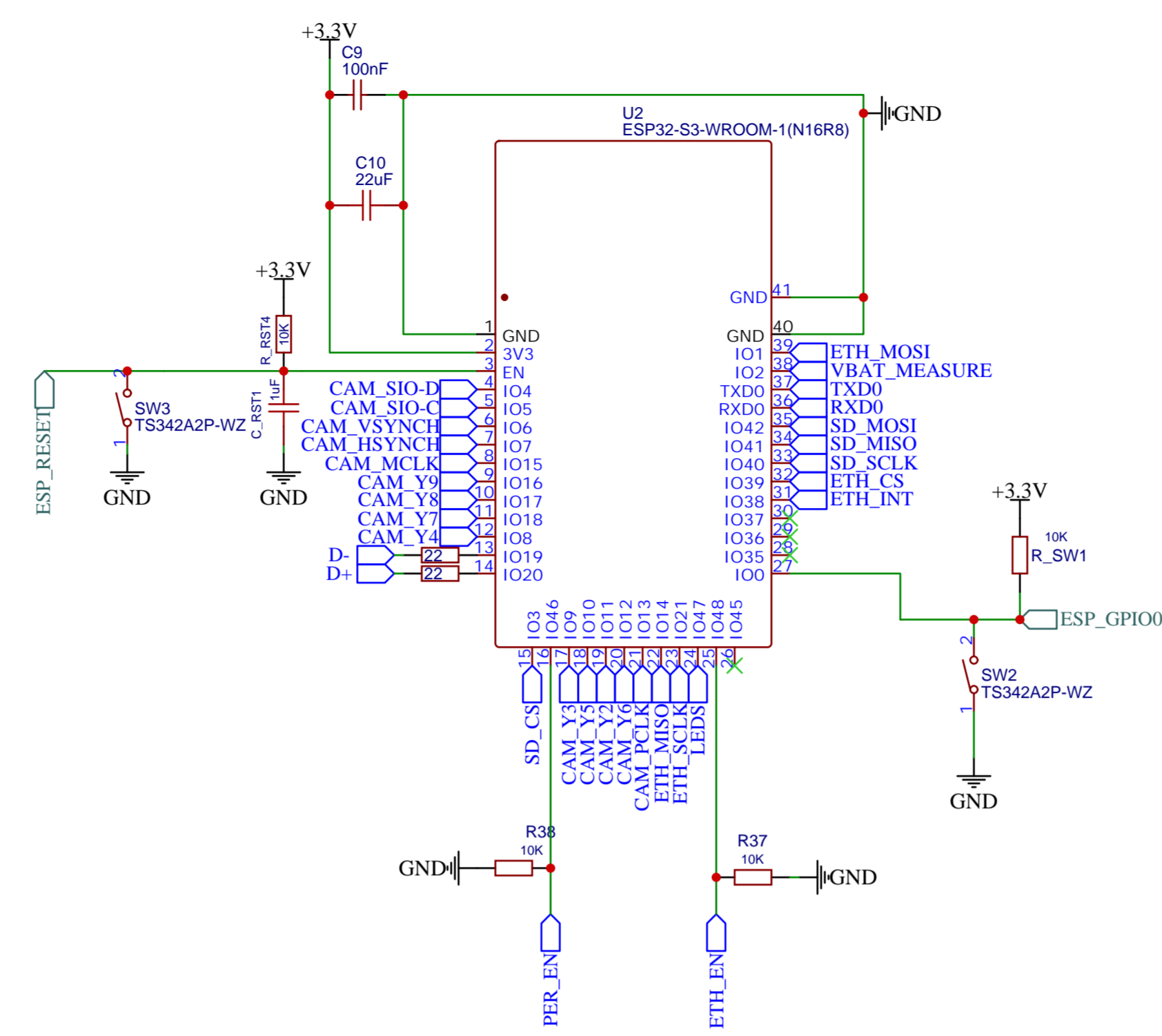
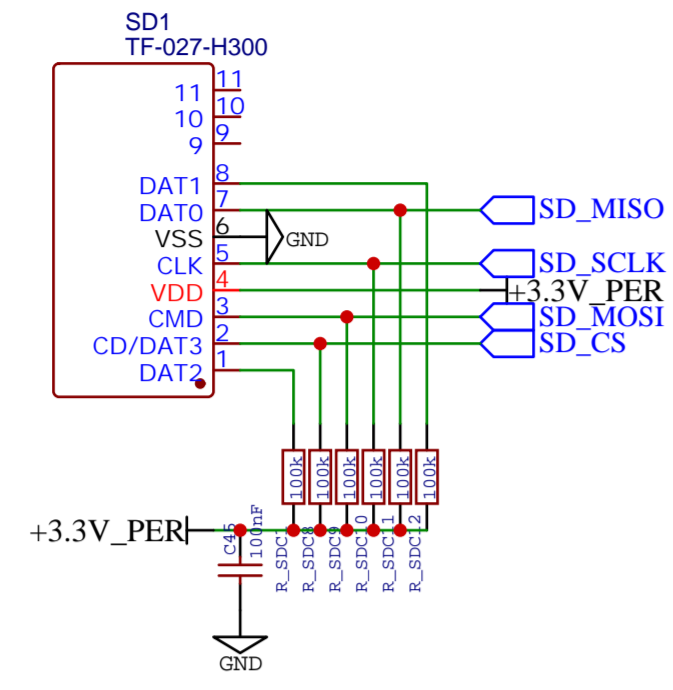


TITLE:	REV: 0.1.0
Company: alleXok	Sheet: 2/2
Date: 2024/10/10	Drawn By: alleXok



GPIO37,GPIO36,GPIO35 cannot be used in octal psram mode(any Esp32-S3 with 8MB PSram)
 GPIO45 is SPI_VDD voltage strapping pin, may be pulled low or high by default, depending on PSRAM&SPI voltage
 GPIO46 is strapping pin, pulled low by default
 GPIO47,GPIO48 may be 1.8V when 1.8V octal PSRAM is used

